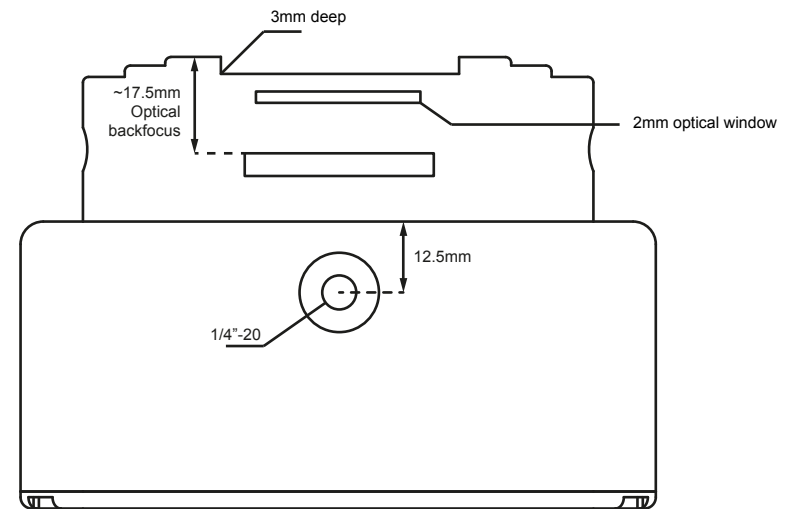
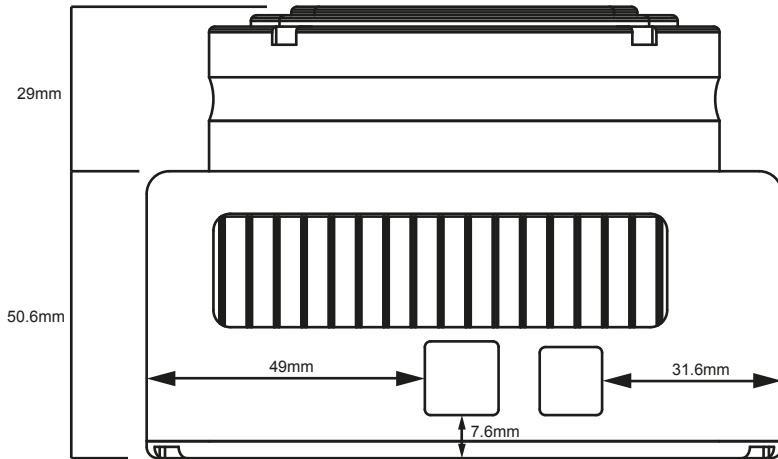


112mm



Mechanical drawing

Atik 383L+